

SERIES UFR

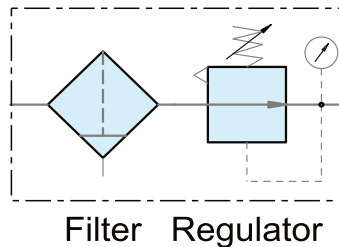
AIR FILTER REGULATOR



Features

- Removes water and particles from the air effectively.
- Filter elements are easy to interchange and replace.
- Accurate and effortless pressure adjustment.
- Supplied with mounting accessories

Symbol



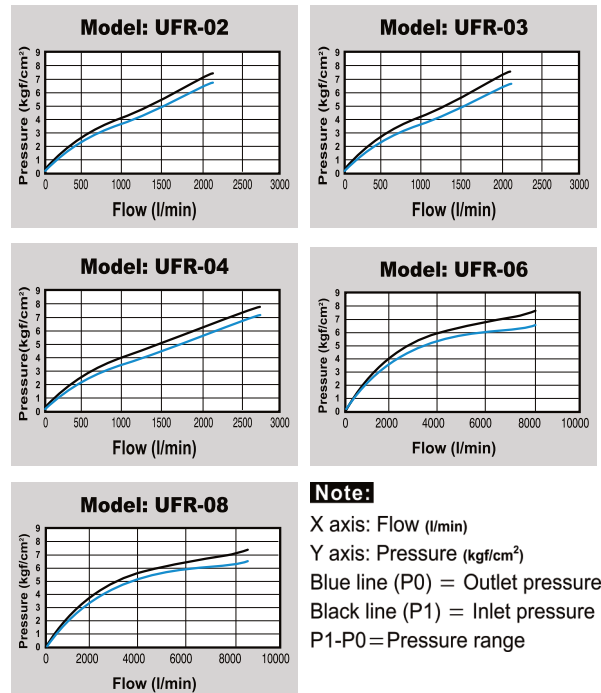
How to order

UFR	—	02	N	C	D	A
Filter Regulator		Port size	Thread	Filtration	Drain	Bowl
		02 1/4"	Blank G	PE	Blank Semi-auto drain	Blank Standard bowl
		03 3/8"	N NPT	Blank 5 μm	H Manual drain	A Anti-acid & alkali bowl
		04 1/2"	R Rc	C 40 μm	D Auto drain	AL Aluminum bowl (1/4"~1/2")
		06 3/4"		Sintered brass		
		08 1"		S 5 μm		
				T 40 μm		

Specifications

Model	UFR-02	UFR-03	UFR-04	UFR-06	UFR-08
Port size	1/4"	3/8"	1/2"	3/4"	1"
Fluid	Compressed air				
Regulator construction	Piston				
Body material	Aluminum die-cast				
Bowl material	Polycarbonate (Standard), Anti-acid & alkali bowl (Option), Aluminum bowl (Option)				
Filtration	PE: 5 μm (Standard), 40 μm (Option) Sintered brass (Option): 5 μm, 40 μm				
Operating pressure range	0.5 ~ 10 kgf/cm ²				
Proof pressure (Standard bowl)	15 kgf/cm ²				
Max. flow rate l/min (ANR)	2080	2100	2600	7940	8200
Ambient temperature	-10 °C ~ 60 °C				
Lubricator oil (Recommended)	ISO-VG32				
Filter bowl capacity	105cc			210cc	
Lubricator bowl capacity	125cc			235cc	
Standard drain	Semi-auto drain (Drains below 0.5kgf/cm ²)				
Net weight	930g (W/ Aluminum bowl, 1230g)			1360g	
Accessories	Pressure gauge, Mounting bracket, Plug, Screw x 4				

Flow chart

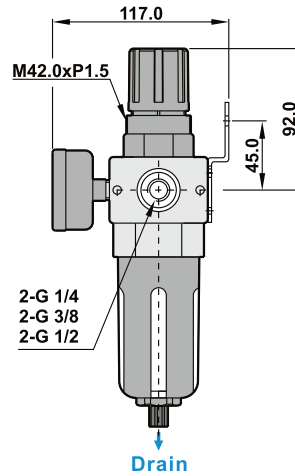
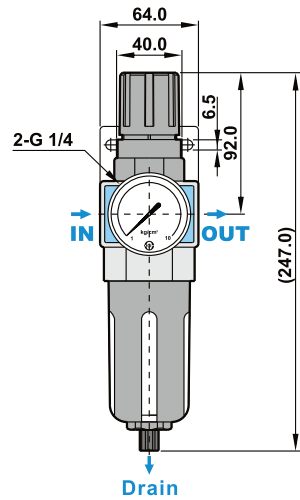


SERIES UFR

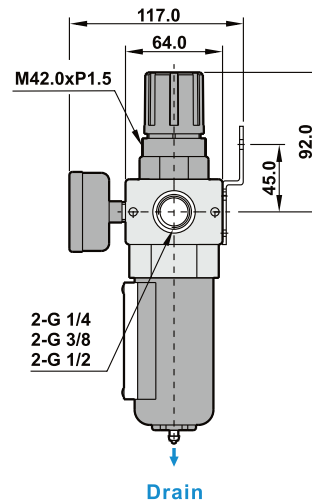
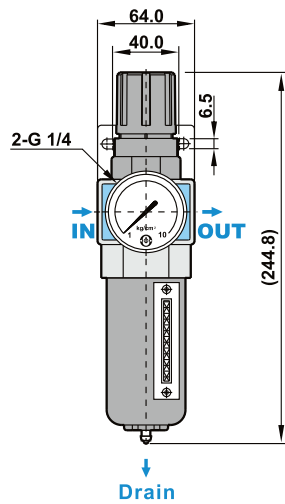
AIR FILTER REGULATOR

Dimensions

UFR-02, 03, 04



UFR-02AL, 03AL, 04AL (Aluminum bowl)



UFR-06, 08

